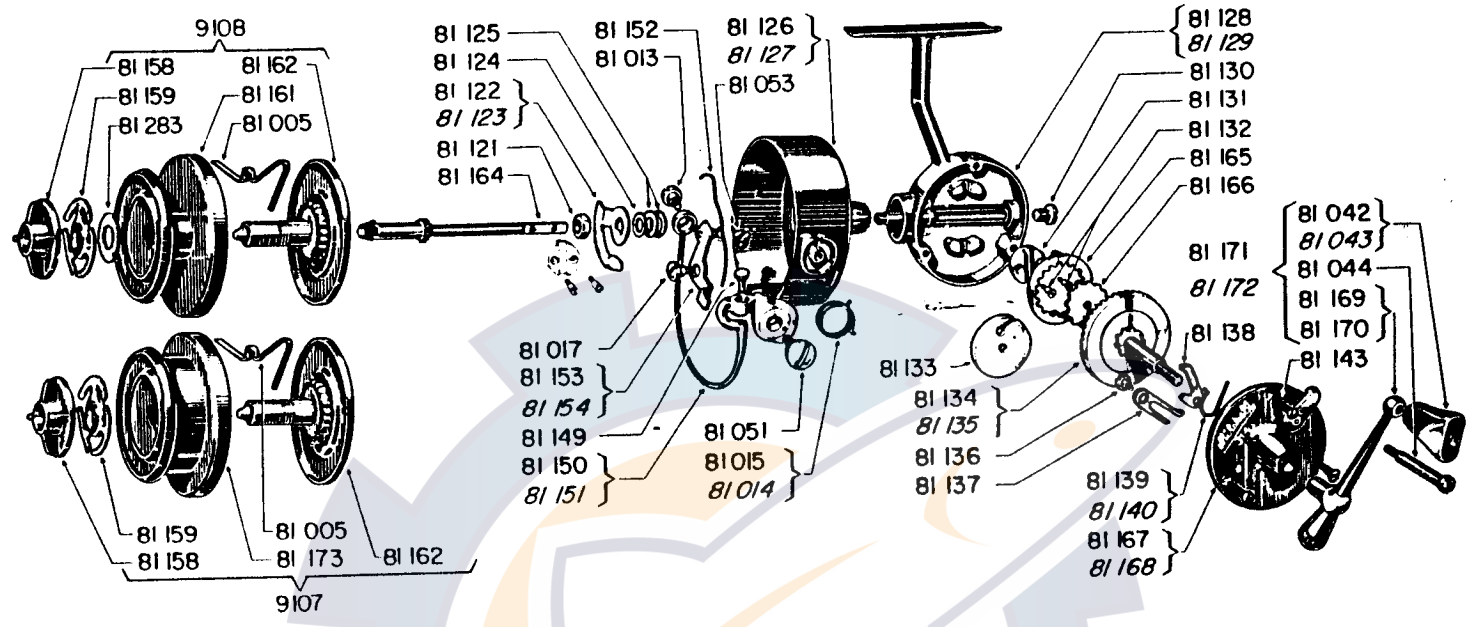




MITCHELL 314-315



Please specify both reel model and part numbers when ordering.

Prices subject to change without notice

Items in red for left hand model 315
 *Use only the number of shims required for smoothest performance

No.	Part Name	Price	No.	Part Name	Price	No.	Part Name	Price
9107	Spool Complete, Small	2.75	81126 (38)	Rotating Head (314)	3.25	81151 (54L)	Bail (315)	3.00
9108	Spool Complete, Large	2.75	81127 (38L)	Rotating Head (315)	3.25	81152 (53)	Trip Lever Spring	.10
9213	Manual Pick Up (314 only)	1.75	81278 (39)	Housing (314)	3.75	81153 (52)	Trip Lever (314)	.35
81005 (73)	Click Spring	.10	81129 (39L)	Housing (315)	3.75	81154 (52L)	Trip Lever (315)	.35
81013 (37)	Bail Screw No. 2	.15	81130 (40)	Lube Port Screw	.10	81158 (75)	Drag Adjusting Knob	.20
81014 (58L)	Bail Spring (315)	.15	81131 (63)	Oscillation Slide	.15	81159 (76)	Brake Spring	.25
81015 (58)	Bail Spring (314)	.15	81132 (64)	Oscillation Slide Screw (ea.)	.05	81161 (77)	Spool Shell, Large (9108)	1.25
81017 (51)	Trip Lever Screw	.10	81133 (65)	Crosswind Cam	.25	81162 (80)	Spindle	1.00
81042 (62)	Handle Knob (314)	.25	81134 (43)	Drive Gear (314)	2.00	81164 (81)	Axle	.75
81043 (62L)	Handle Knob (315)	.25	81135 (43L)	Drive Gear (315)	2.00	81165 (41)	Planamatic Cam Ring	.55
81044 (71)	Handle Knob Screw	.10	81136 (44)	Anti Reverse Cam Screw	.10	81166 (42)	Planamatic Gear	.25
81051 (55)	Bail Screw No. 1	.20	81137 (45)	Anti Reverse Cam	.10	81167 (82)	Coverplate (314)	2.25
81053 (57)	Line Guide Screw	.10	81138 (46)	Anti Reverse Dog	.15	81168 (82L)	Coverplate (315)	2.25
81121 (33)	Hex Nut	.10	81139 (47)	Anti Reverse Dog Spring (314)	.10	81169 (85)	Handle Shank (314)	1.25
81122 (34)	Bail Trip (314)	.25	81140 (47L)	Anti Reverse Dog Spring (315)	.10	81170 (85L)	Handle Shank (315)	1.25
81123 (34L)	Bail Trip (315)	.25	81143 (50)	Cover Screw (ea.)	.10	81171 (70)	Handle, Complete (314)	1.75
81124 (35)	Bail Trip Washer	.10	81148 (59)	Handle Spacer, optional	.10	81172 (70L)	Handle, Complete (315)	1.75
81125 (36)	Shims To Adjust Rotating Head (set of 3)	.30	81149 (56)	Line Guide	.30	81173 (78)	Spool Shell, Small (9107)	1.50
			81150 (54)	Bail (314)	3.00	81283 (79)	Fibre Drag Washer (9108)	.10

PARTS AND SERVICE AVAILABLE AT THE FOLLOWING REGIONAL FACTORY REPAIR DEPOTS:

**FACTORY SERVICE
RODS, REELS AND PARTS**

**THE GARCIA SERVICE DEPARTMENT
329 ALFRED AVENUE
TEANECK, NEW JERSEY 07666**

**THE CONOLON CORPORATION
1111 EAST McFADDEN STREET
SANTA ANA, CALIFORNIA 92705**

**SILICOTE SALES DIVISION
520 WEST 14th AVENUE
OSHKOSH, WISCONSIN 54902**

**J. K. CLARK COMPANY
ACO SPORTSMEN SERVICE
13501 VAN DYKE
DETROIT, MICHIGAN 48234**

REEL SERVICE AND PARTS

**NATE BUELL SERVICE CORPORATION
5013 N.E. 42nd STREET
PORTLAND, OREGON 97218**

**HARRY C. MILLER CO., INC.
257 PARK AVENUE SOUTH
NEW YORK, NEW YORK 10010**

**SHERMAN LOYD SALES COMPANY
4737 GREENVILLE AVENUE
DALLAS, TEXAS 75206**